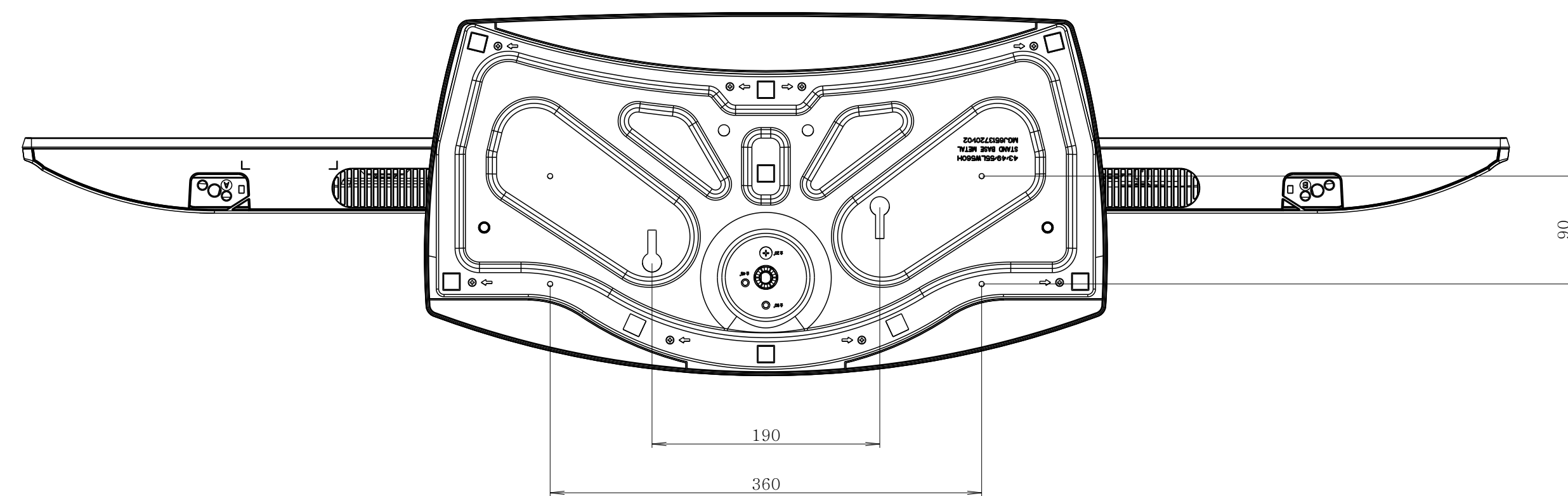
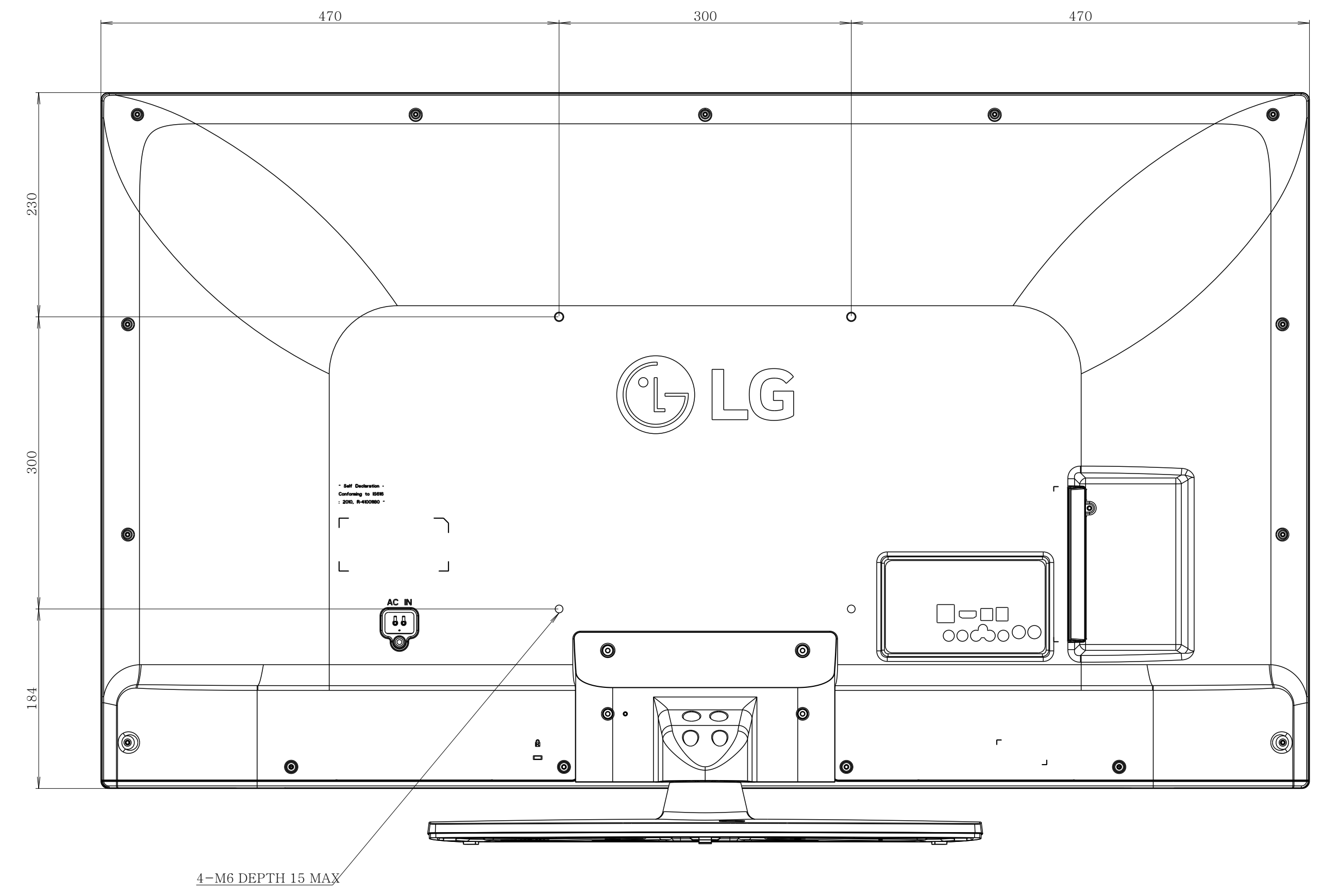
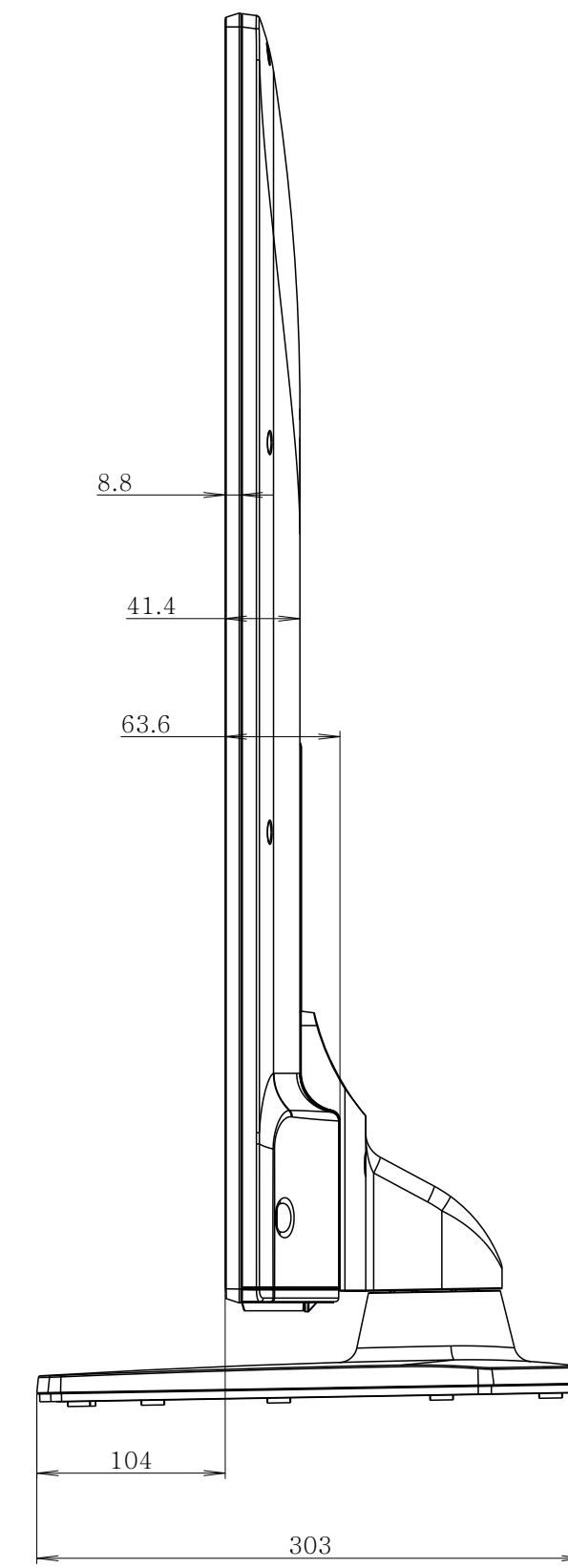
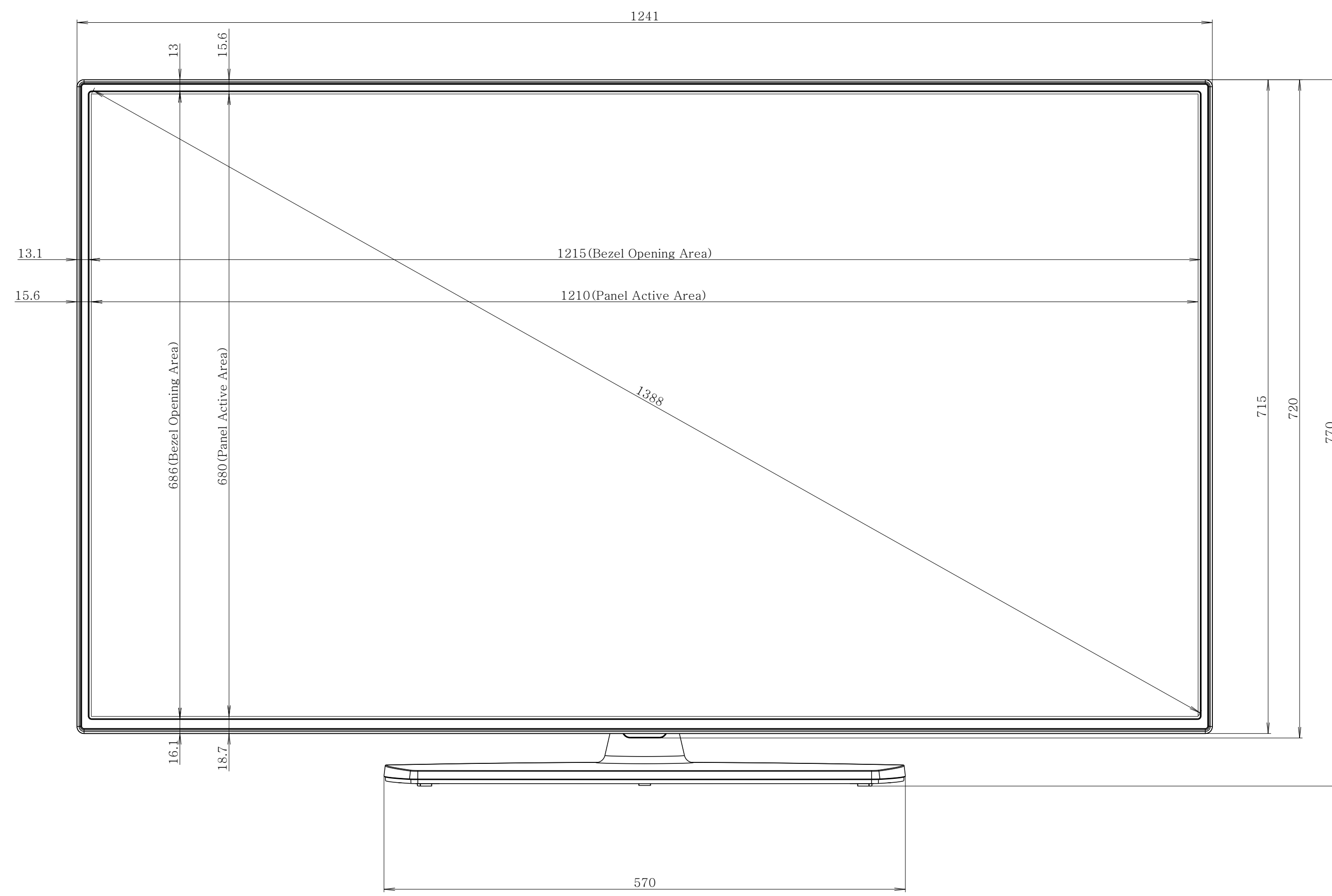
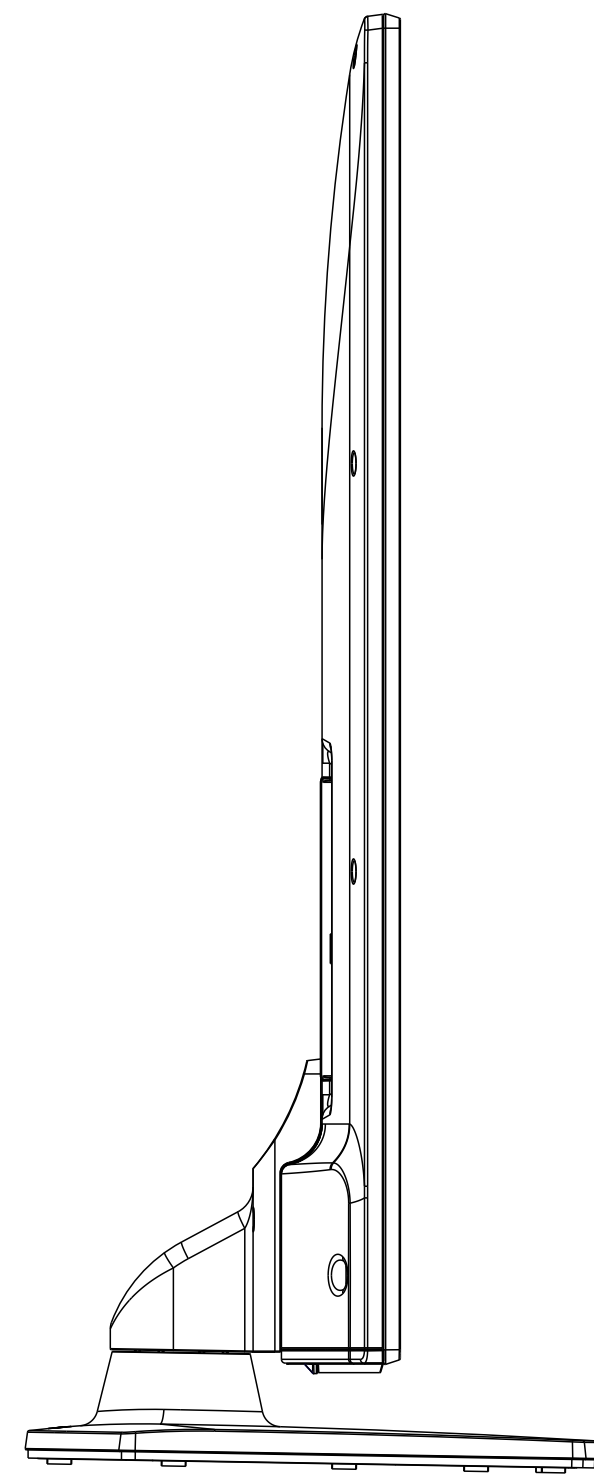
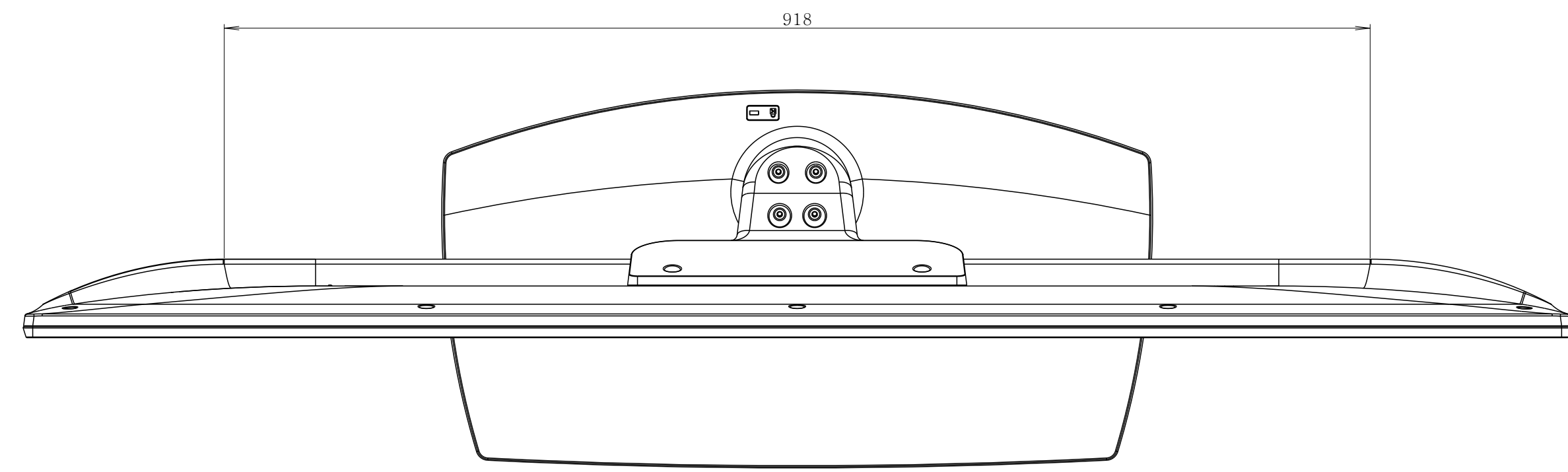


NO.	DESCRIPTION	PART NO.	MATERIAL



SYM	DATE	REV	ECNO	REVISIONS	CONFIRM

SCALE: 1/1 UNIT: MM TITLE: Model Name  
 DESIGNED: [ ] CHECKED: [ ] APPROVED: [ ] Part Spec

REF: DWG. NO. LG Electronics Inc. APP: TEST NO. DWG. NO. (1/1)